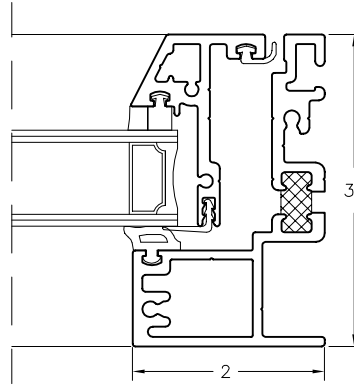
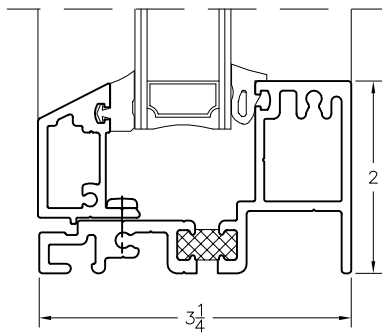


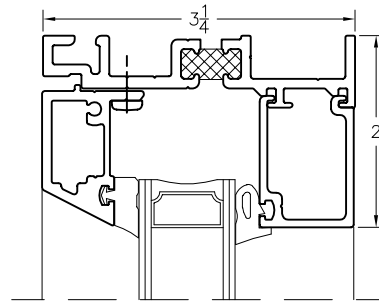
①
OPERABLE



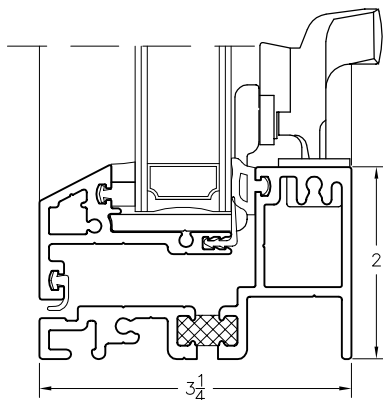
②
OPERABLE



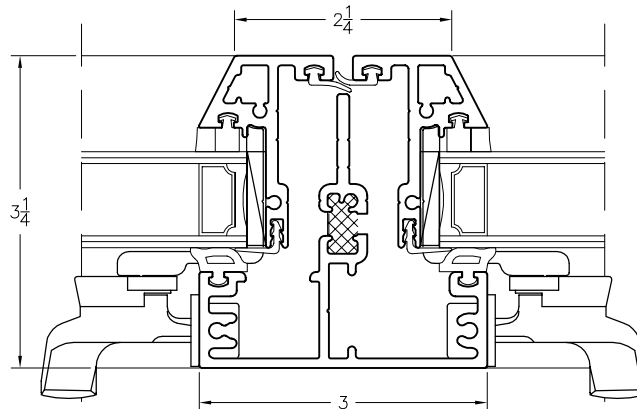
③
FIXED



④
FIXED W/ GLAZING
BEAD



⑤
OPERABLE
W/HANDLE



⑥
OP/OP

